

2-62 H

# ORIGINAL INSTRUCTION MANUAL

GREENLINE

READ THIS INSTRUCTION MANUAL BEFORE USING THIS APPLIANCE

SERIAL No: .....  
(To be completed by user)



## MODEL DESCRIPTION

BVC GREENLINE 2/62 230V  
BVC GREENLINE 2/62 110V

## PART NUMBER

28 40151 03  
28 40151 04

# TABLE OF CONTENTS

**Overview** **02**  
*Safety, usage, guidelines & important notes*

---

**Safety** **03**  
*Safety rules, Performance Details, Symbols & Signs*

---

**Parts Description & Assembly** **04**  
*Vacuum Cleaner Parts List & Diagram*

---

**Operation** **05**  
*Set up vacuum for use.*

---

**Maintenance** **06**  
*Maintenance, Technical Check & PPE.*

---

**Technical Data & Spares** **07**  
*Technical Date, Spares & Optional Accessories.*

---

**GREENLINE**  
1-33H & 1-33HTC



# VACUUM CLEANER USER MANUAL

This user-friendly guide is here to help you understand the essential functions and ensure a safe and effective cleaning experience.

## OVERVIEW

This vacuum is designed to pick up dust and small deposits, suitable for various environments like hotels, schools, hospitals, factories, offices, and shops.

Please note that it is not suitable for liquid suction.

## SAFETY & USAGE

The vacuum is built to handle high-hazard situations, effectively separating all types of dust while adhering to occupational exposure limits, including carcinogenic and pathogenic substances.

Operate the vacuum responsibly, and ensure proper use, maintenance, and repairs

## GUIDELINES

If you encounter any issues, always consult your dealer for assistance.

Buyers must ensure informed individuals use the vacuum, and any modifications may void the warranty.

## IMPORTANT NOTES

In case of a lost or damaged manual, contact the manufacturing company for a replacement.

If you sell the vacuum, provide the new owner with this manual or inform them about the manufacturing company's contact details.

# SAFETY

Ensure safe and proper use of this device by following these essential guidelines

## 1.

This device is designed for dry suction only and should not be stored in open or damp conditions. Avoid directing the suction toward sensitive body parts of people or animals

## 2.

Be mindful of not exceeding the power limit if there's an additional plug to prevent potential hazards. Use only the specified brushes for safe operation.

## 3.

Always supervise the device during use, unplug it when not in use, and store it away from children or individuals unaware of its hazards.

## 4.

Avoid exhausting toxic, explosive, flammable, or excessively hot substances. Confirm comparability with electrical sockets and refrain from suctioning materials that could damage the filters.

## 5.

Never pull or lift the device by its cable, and regularly inspect the cable for damage or wear. Replace it if necessary to prevent accidents.

## 6.

Prioritise safety by wearing suitable gear and seal the filler when relocating the machine.

## 7.

Performance details:  
PULSAR 515 H / ISSA  
PULSAR 515 H: 1200 W  
max - 22560 hPa.

## 8.



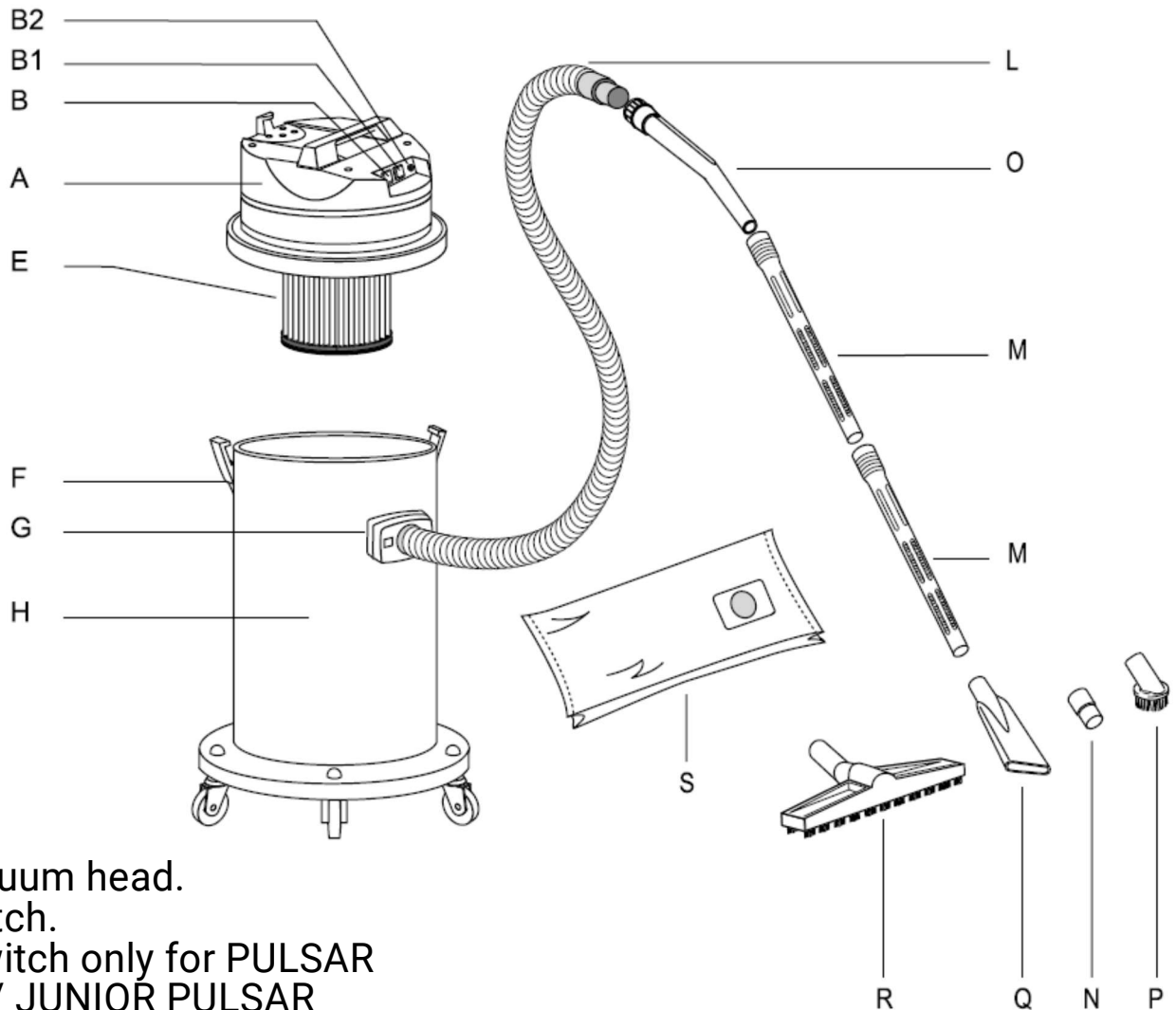
This symbol will be used to remind the operator to pay attention to operations that can cause injury or potential damage to the vacuum cleaner.

## 9.



(High Hazard) for separating all dusts with all limit values of occupational exposure including carcinogenic and pathogenic dusts.

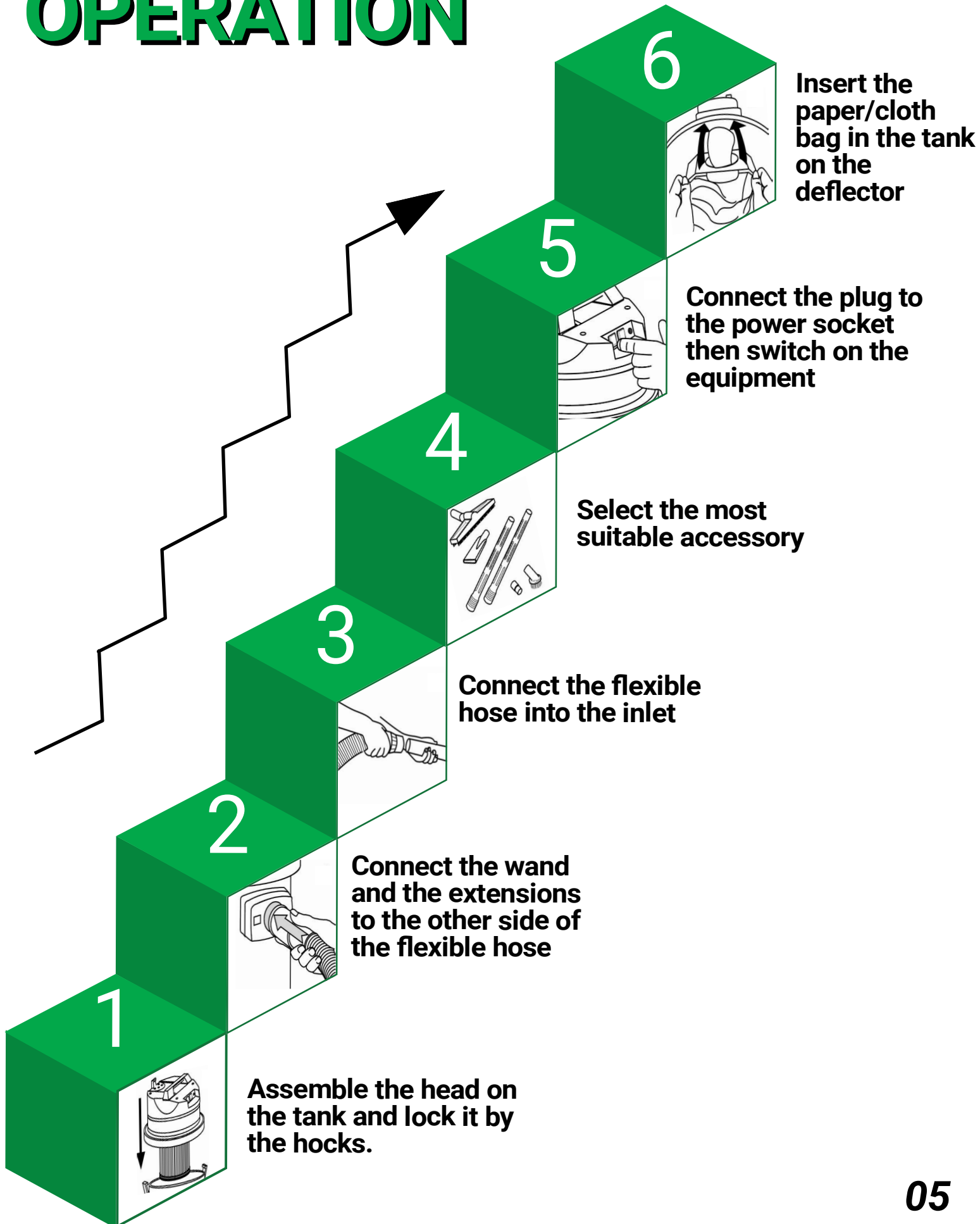
# PARTS DESCRIPTION AND ASSEMBLY



- A - Vacuum head.
- B - Switch.
- B1 - Switch only for PULSAR  
429-H / JUNIOR PULSAR  
429-H 2 motors
- B2 - Bag full Pilot light
- E - Filter cartridge
- F - Hooks for tightening of  
vacuum head to tank.
- G - Suction inlet.
- H - Tank.
- L - Flexible hose.
- M - Tube.
- N - Adaptor.
- O - Wand.
- P - Round brush.
- Q - Flat lance.
- R - Dust tool.
- S - Paper/cloth bag (OPTIONAL)



# THE 6 STEPS OF OPERATION



# MAINTENANCE

For user maintenance, it's important to disassemble, clean, and service the device as needed, ensuring safety for maintenance staff and others. Precautions include decontamination before disassembly, forced air ventilation during the process, and proper cleaning of the maintenance area with staff protection.



## TECHNICAL CHECK

A technical check, conducted by the user or a trained individual at least annually, involves examining filters, assessing the device's air-tightness, and verifying the control mechanism's functionality. During maintenance or repairs, any contaminated components unable to be adequately cleaned must be properly disposed of in impermeable bags, adhering to relevant regulations.

### ITS IMPORTANT TO...

Verify the vacuum cleaner's condition for any bumps or damages.

Ensure the presence and effectiveness of all safety measures.

Conduct an annual check on the device's filtering efficiency.

### THE DUST ON THE ABSOLUTE FILTER IS/ COULD BE TOXIC:

USE GLOVES



USE A CONTAINER SUITABLE FOR DISPOSAL



WEAR PROTECTIVE GLASSES



WEAR A FACE MASK



WEAR FULL OVERALL



# TECHNICAL DATA

GS 2-62 H

<b>Usage</b>		DRY
<b>Motor</b>		2
<b>Power</b>	W	2000 - 2400 max
<b>Voltage</b>	V	220 - 240
<b>Water Lift</b>	mmH2O	2470
<b>Airflow</b>	m3/h	420
<b>Tank Capacity/Material</b>	l	62/steel
<b>Cable Length</b>	m	8,5
<b>Filtering Surface</b>	cm2	12,000
<b>Sound Pressure level</b>	dB[A]	74
<b>Diameter of Accessories</b>	mm	38
<b>Dimensions</b>	mm	550x600x960
<b>Weight</b>	kg	21,0

## STANDARD EQUIPMENT

CODE: KTRI06268 <b>HEPA CARTRIDGE UPSTREAM H14 12.000CM2</b>	CODE: FTDP40008 <b>NON-WOVEN BAG W/SAFETY VALVE</b>	CODE: RCVR00936 <b>COMPLETE CAP FOR INLET (FOR SAFE DISPOSAL)</b>
---	--	--



## PMDT00565 - ONLY FOR GS 2/62 H - ACCESSORIES KIT Ø38 MM COMPOSED OF:

CODE: TBFX28237 <b>FLEXIBLE HOSE 2,5m Ø38mm</b>	CODE: LAFN43048 <b>ALUMINIUM / PLASTIC TUBE 50cm Ø38mm (MACHINE COMES WITH 2PCS)</b>	CODE: MPVR43047 <b>HANDLE WITH AIR REGULATOR Ø38mm</b>	CODE: SPPV43050 <b>DUST TOOL Ø38mm</b>	CODE: SPPV00156 <b>FLAT LANCE Ø38mm</b>	CODE: SPPV43052 <b>ROUND BRUSH Ø38mm</b>	CODE: MPVR43049 <b>ADAPTER</b>
--	---	---	---	--	---	-----------------------------------



## PMDT01001 - ONLY FOR GS 2/62 H TC PN - ACCESSORIES KIT Ø36 MM COMPOSED OF:

CODE: TBFX01500 <b>CONDUCTIVE FLEXIBLE HOSE 4m</b>	CODE: TBBP00655 <b>ELASTORAN HOSE 4,5m</b>	CODE: MPVR85445 <b>CLIP (CODE FOR 1 PC. MACHINE COMES WITH 9 PC)</b>	CODE: MPVR85407 <b>PLASTIC TUBE 50cm (CODE FOR 1 PC. MACHINE COMES WITH 2 PC)</b>	CODE: LAFN10880 <b>CONDUCTIVE WAND WITH AIR REGULATOR</b>
---	---	---	--	--



CODE: SPPV33288  
**DUST TOOL**



CODE: SPPV28242  
**FLAT LANCE**



CODE: SPPV28243  
**ROUND BRUSH**



CODE: MPVR06998  
**TOOL ADAPTER**



## OPTIONAL ACCESSORIES

CODE: FTDP00567 <b>MICROFIBER BAG CLASS M SET OF 5 PCS</b>	CODE: MPVR11542 <b>COVER FOR DRILL</b>	CODE: PMDT00412 <b>ELECTRO- PNEUMATIC KIT Ø29 mm</b>	CODE: PMDT00411 <b>ELECTRIC KIT Ø29 mm</b>	CODE: PMDT00410 <b>ELECTRO- PNEUMATIC KIT Ø36 MM</b>
---	---	---	---	---



X5



CODE: SPPV01771  
**DOUBLE USE BRUSH  
36 mm**



CODE: KTRI06265  
**HEPA CARTRIDGE  
H14 BOX OF 2 PCS**



X2

CODE: KTRI06266  
**HEPA CARTRIDGE  
H14 BOX OF 3 PCS**



X3

CODE: KTRI06267  
**HEPA CARTRIDGE  
H14 BOX OF 8 PCS**



X8