

Greenline 1-33 H

# ORIGINAL INSTRUCTION MANUAL

GREENLINE

READ THIS INSTRUCTION MANUAL BEFORE USING THIS APPLIANCE

SERIAL No: .....  
(To be completed by user)



## MODEL DESCRIPTION

BVC GREENLINE 1/33 230V

## PART NUMBER

28 40151 02

# TABLE OF CONTENTS

<b>Overview</b> <i>Safety, usage, guidelines &amp; important notes</i>	<b>02</b>
<b>Safety</b> <i>Safety rules, Performance Details, Symbols &amp; Signs</i>	<b>03</b>
<b>Parts Description &amp; Assembly</b> <i>Vacuum Cleaner Parts List &amp; Diagram</i>	<b>04</b>
<b>Operation</b> <i>Set up vacuum for use.</i>	<b>05</b>
<b>Maintenance</b> <i>Maintenance, Technical Check &amp; PPE.</i>	<b>06</b>
<b>Technical Data &amp; Spares</b> <i>Technical Date, Spares &amp; Optional Accessories.</i>	<b>07</b>

**GREENLINE**  
1-33H & 1-33HTC



# VACUUM CLEANER USER MANUAL

This user-friendly guide is here to help you understand the essential functions and ensure a safe and effective cleaning experience.

## OVERVIEW

This vacuum is designed to pick up dust and small deposits, suitable for various environments like hotels, schools, hospitals, factories, offices, and shops.

Please note that it is not suitable for liquid pickup.

## SAFETY & USAGE

The vacuum is built to handle high-hazard situations, effectively separating all types of dust while adhering to occupational exposure limits, including carcinogenic and pathogenic substances.

Operate the vacuum responsibly, and ensure proper use, maintenance, and repairs

## GUIDELINES

If you encounter any issues, always consult your dealer for assistance.

Buyers must ensure informed individuals use the vacuum, and any modifications may void the warranty.

## IMPORTANT NOTES

In case of a lost or damaged manual, contact the manufacturing company for a replacement.

If you sell the vacuum, provide the new owner with this manual or inform them about the manufacturing company's contact details.

# SAFETY

Ensure safe and proper use of this device by following these essential guidelines

**1.**

This device is designed for dry suction only and should not be stored in open or damp conditions. Avoid directing the suction toward sensitive body parts of people or animals

**2.**

Be mindful of not exceeding the power limit if there's an additional plug to prevent potential hazards. Use only the specified brushes for safe operation.

**3.**

Always supervise the device during use, unplug it when not in use, and store it away from children or individuals unaware of its hazards.

**4.**

Avoid exhausting toxic, explosive, flammable, or excessively hot substances. Confirm comparability with electrical sockets and refrain from suctioning materials that could damage the filters.

**5.**

Never pull or lift the device by its cable, and regularly inspect the cable for damage or wear. Replace it if necessary to prevent accidents.

**6.**

Prioritise safety by wearing suitable gear and seal the filler when relocating the machine.

**7.**

Performance details:  
PULSAR 515 H / ISSA  
PULSAR 515 H: 1200 W  
max - 22560 hPa.

**8.**



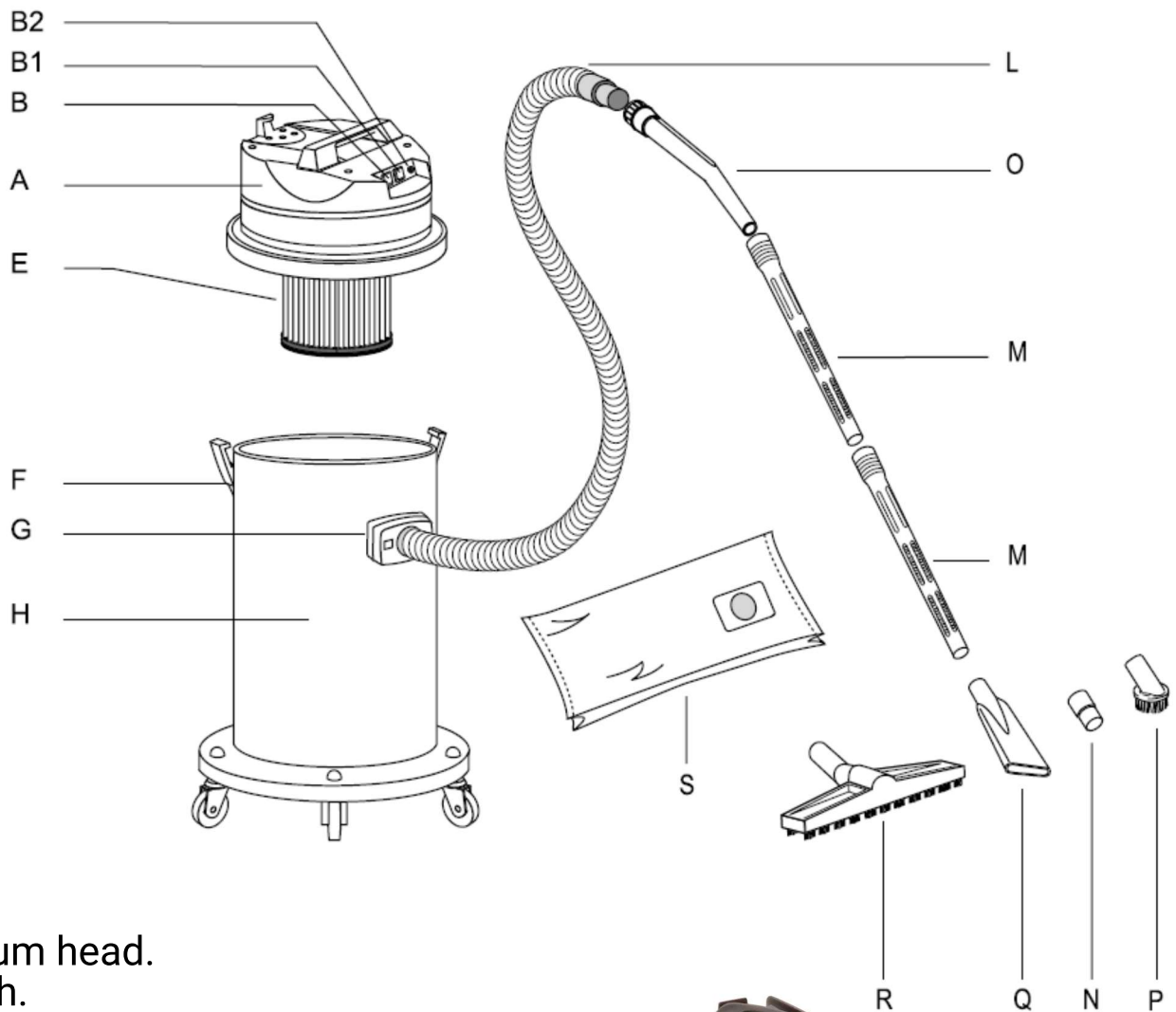
This symbol will be used to remind the operator to pay attention to operations that can cause injury or potential damage to the vacuum cleaner.

**9.**



(High Hazard) for separating all dusts with all limit values of occupational exposure including carcinogenic and pathogenic dusts.

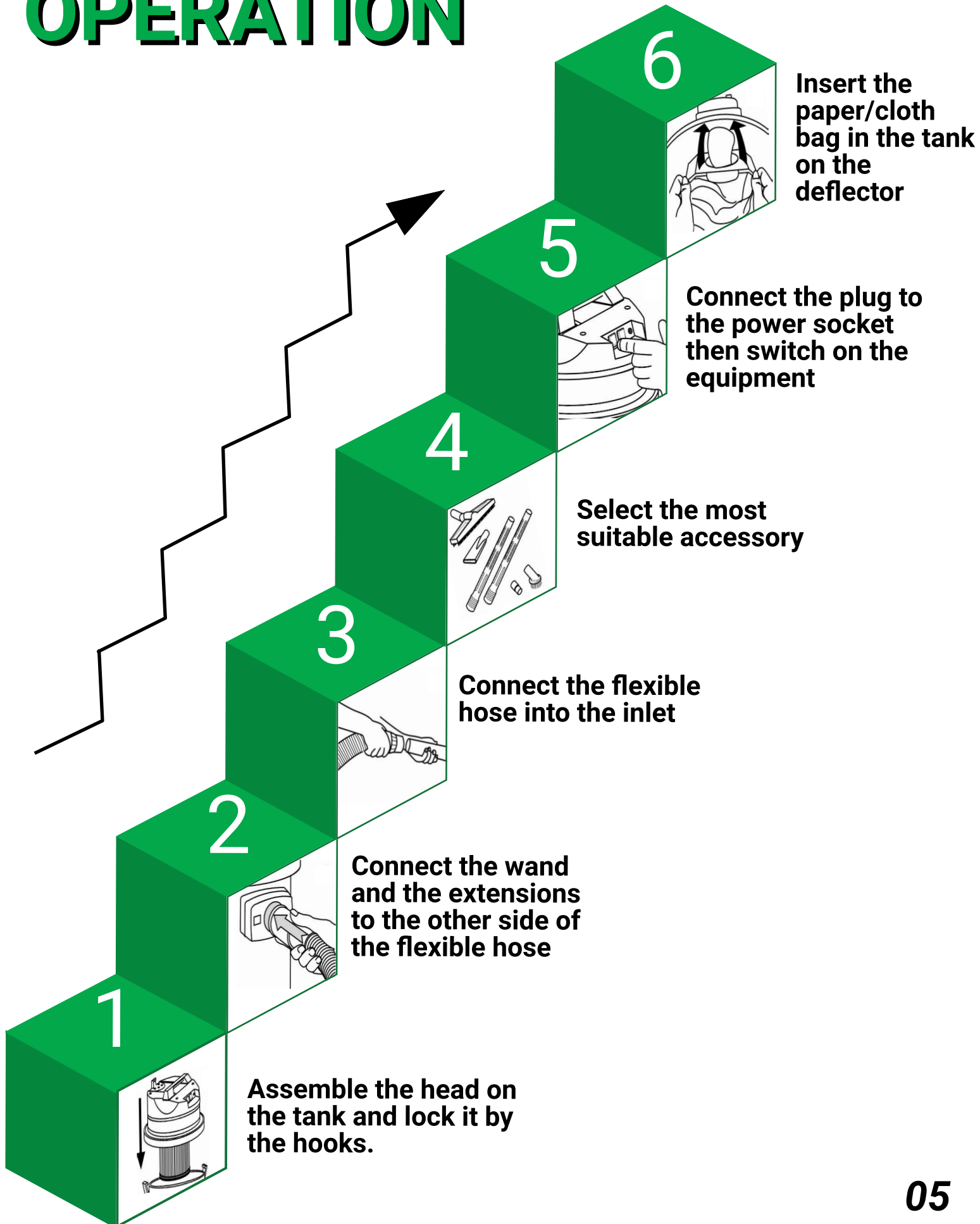
# PARTS DESCRIPTION AND ASSEMBLY



- A - Vacuum head.
- B - Switch.
- B1 - Switch only for PULSAR  
429-H / JUNIOR PULSAR  
429-H 2 motors
- B2 - Bag full Pilot light
- E - Filter cartridge
- F - Hooks for tightening of  
vacuum head to tank.
- G - Suction inlet.
- H - Tank.
- L - Flexible hose.
- M - Tube.
- N - Adaptor.
- O - Wand.
- P - Round brush.
- Q - Flat lance.
- R - Dust tool.
- S - Paper/cloth bag (OPTIONAL)



# THE 6 STEPS OF OPERATION



# MAINTENANCE

For user maintenance, it's important to disassemble, clean, and service the device as needed, ensuring safety for maintenance staff and others. Precautions include decontamination before disassembly, forced air ventilation during the process, and proper cleaning of the maintenance area with staff protection.



## TECHNICAL CHECK

A technical check, conducted by the user or a trained individual at least annually, involves examining filters, assessing the device's airtightness, and verifying the control mechanism's functionality. During maintenance or repairs, any contaminated components unable to be adequately cleaned must be properly disposed of in impermeable bags, adhering to relevant regulations.

### ITS IMPORTANT TO...

Verify the vacuum cleaner's condition for any bumps or damages.

Ensure the presence and effectiveness of all safety measures.

Conduct an annual check on the device's filtering efficiency.

### THE DUST ON THE ABSOLUTE FILTER IS/ COULD BE TOXIC:

USE GLOVES



USE A CONTAINER SUITABLE FOR DISPOSAL



WEAR PROTECTIVE GLASSES



WEAR A FACE MASK



WEAR FULL OVERALL



# TECHNICAL DATA

GS 1-33 H

GS 1-33 HTC

<b>Usage</b>		DRY	DRY
<b>Motor</b>		1	1
<b>Power</b>	W	1000 - 1200 max	1000 - 1200 max (2600 W additional plug)
<b>Voltage</b>	V	220 - 240	220 - 240
<b>Water Lift</b>	mmH2O	2470	2470
<b>Airflow</b>	m3/h	210	210
<b>Tank Capacity/Material</b>	l	33/steel	33/steel
<b>Cable Length</b>	m	8,5	8,5
<b>Filtering Surface</b>	cm2	12,000	12,000
<b>Sound Pressure level</b>	dB[A]	72	72
<b>Diameter of Accessories</b>	mm	38	36
<b>Dimensions</b>	mm	380x380x650	380x380x650
<b>Weight</b>	kg	12,0	12,0

## STANDARD EQUIPMENT

CODE: KTRI06268  
HEPA CARTRIDGE  
UPSTREAM  
H14 12.000CM2



CODE: FTDP00327  
NON-WOVEN BAG  
W/SAFETY VALVE



CODE: RCVR00936  
COMPLETE CAP  
FOR INLET  
(FOR SAFE DISPOSAL)



## PMdT00565 - ONLY FOR GS 1/33 H - ACCESSORIES KIT Ø38 MM COMPOSED OF:

CODE: TBFX28237  
FLEXIBLE HOSE  
2,5m  
Ø38mm



CODE: LAFN43048  
(FOR 1 PC)  
ALUMINIUM  
/ PLASTIC TUBE  
50cm  
Ø38mm  
(MACHINE COMES  
WITH 2PCS)



CODE: MPVR43047  
HANDLE WITH  
AIR REGULATOR  
Ø38mm



CODE: SPPV43050  
DUST TOOL  
Ø38mm



CODE: SPPV00156  
FLAT LANCE  
Ø38mm



CODE: SPPV43052  
ROUND BRUSH  
Ø38mm



CODE: MPVR43049  
ADAPTER



## PMdT01000 - ONLY FOR GS 1/33 H TC - ACCESSORIES KIT Ø36 MM COMPOSED OF:

CODE: TBFX01500  
CONDUCTIVE  
FLEXIBLE HOSE  
4m



CODE: MPVR85407  
(FOR 1 PC)  
PLASTIC TUBE  
50cm  
(MACHINE COMES  
WITH 2PCS)



CODE: MPVR43047  
HANDLE WITH  
AIR REGULATOR  
Ø38mm



CODE: SPPV43050  
DUST TOOL  
Ø38mm



CODE: SPPV00156  
FLAT LANCE  
Ø38mm



CODE: SPPV43052  
ROUND BRUSH  
Ø38mm



CODE: MPVR43049  
ADAPTER



## OPTIONAL ACCESSORIES

CODE: KTRI05204  
MICROFIBER BAG  
CLASS M  
SET OF 10 PCS



X10

CODE: PMdT00411  
ELECTRIC KIT  
Ø29 MM



CODE: KTRI06265  
HEPA CARTRIDGE  
H14 BOX OF  
2 PCS



X2

CODE: KTRI06266  
HEPA CARTRIDGE  
H14 BOX OF  
3 PCS



X3

CODE: KTRI06267  
HEPA CARTRIDGE  
H14 BOX OF  
8 PCS



X8

CODE: SPPV01771  
DOUBLE USE  
BRUSH 36 MM



CODE: MPVR11542  
COVER FOR DRILL

