

2-107 SUB+

ORIGINAL INSTRUCTION MANUAL

GREENLINE

READ THIS INSTRUCTION MANUAL BEFORE USING THIS APPLIANCE

SERIAL No:
(To be completed by user)



MODEL DESCRIPTION

BVC GREENLINE 2-107 SUB +

PART NUMBER

28 40155 30

TABLE OF CONTENTS

Overview **02**
Safety, usage, guidelines & important notes

Parts Description & Assembly **03**
Vacuum Cleaner Parts List & Diagram

Set Up **04**
Operation and Wet Suction

Safety **05**
Safety rules, Performance Details, Symbols & Signs

Labels **06**
Vacuum cleaner labels and marking meanings.

Technical Data & Spares **07**
Technical Date, Spares & Optional Accessories.

GREENLINE
GC 2/107 SUB+



VACUUM CLEANER USER MANUAL

This user-friendly guide is here to help you understand the essential functions and ensure a safe and effective cleaning experience.

OVERVIEW

This type of vacuum cleaner is designed for continuous disposal of large amounts of liquid (damage due to high water, vacuum of small and medium sized containers or tanks, etc), and dry/wet cleaning.

Solid, powerful and easy to use, it is also equipped with efficient tools, for a rapid and complete cleaning.

SAFETY & USAGE

Carefully read the manual before use for a safe working environment.

Assemble the device correctly before use. Ensure all filtering elements are in place and efficient.

GUIDELINES

If you encounter any issues, always consult your dealer for assistance.

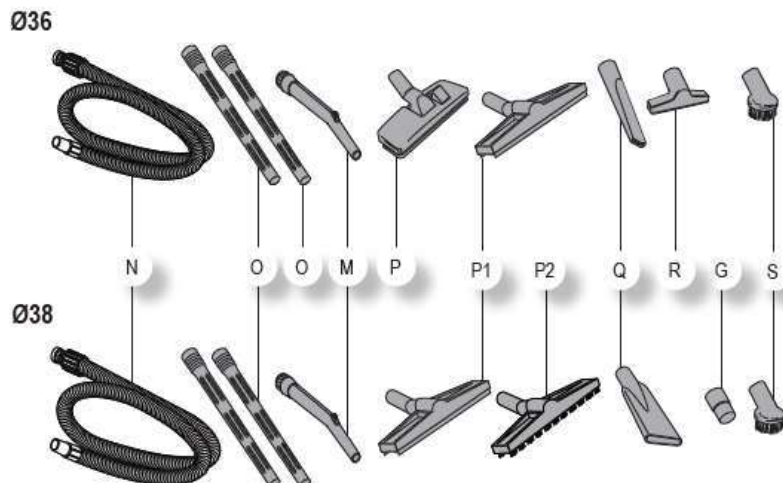
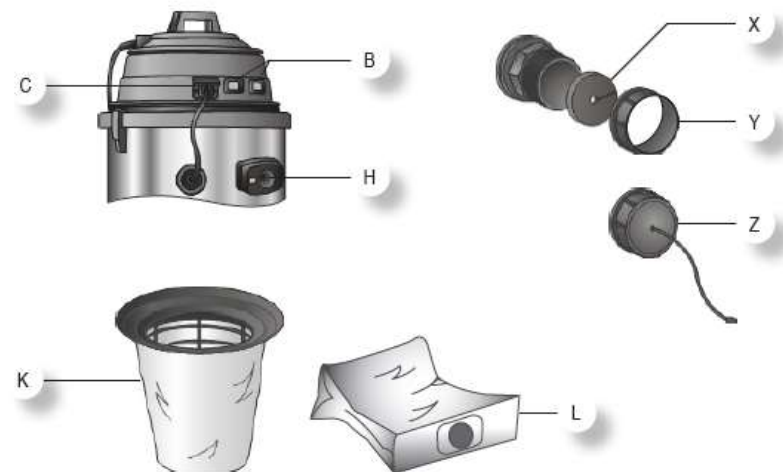
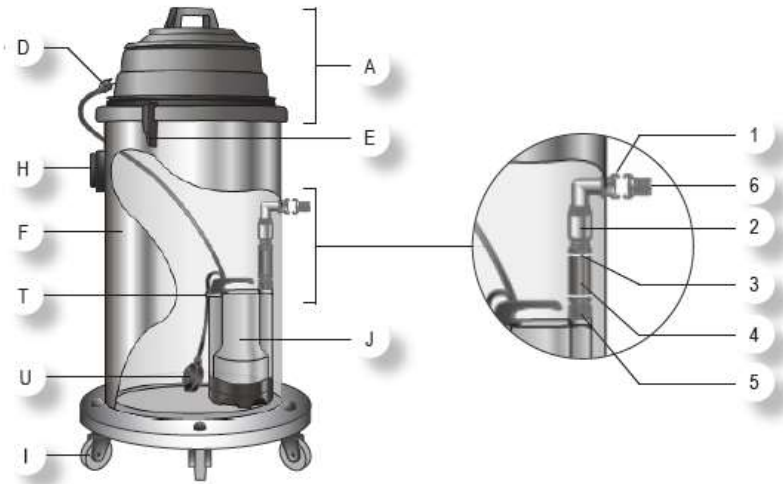
Buyers must ensure informed individuals use the vacuum, and any modifications may void the warranty.

IMPORTANT NOTES

In case of a lost or damaged manual, contact the manufacturing company for a replacement.

If you sell the vacuum, provide the new owner with this manual or inform them about the manufacturing company's contact details.

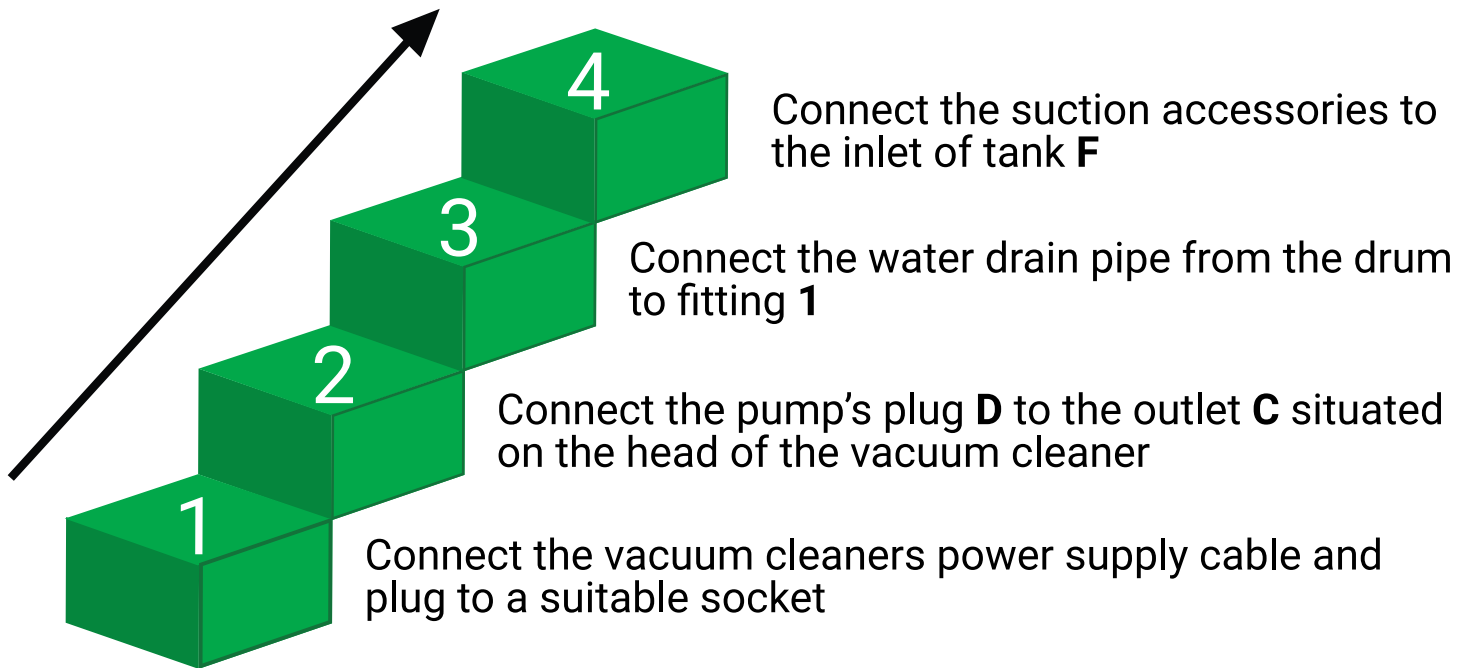
PARTS DESCRIPTION AND ASSEMBLY



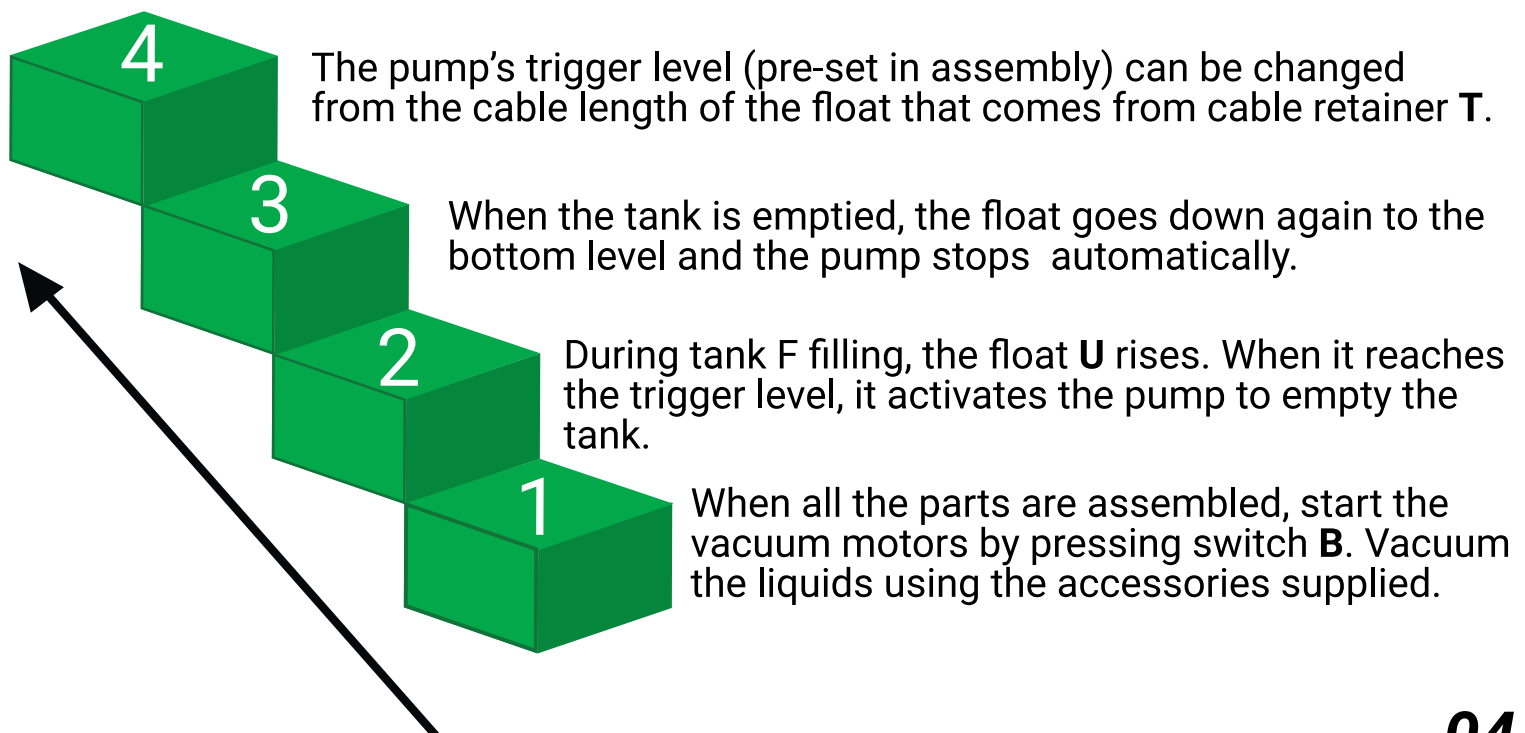
- A** - Motor head
- B** - Motors 1-2 power supply switches
- C** - Pump power supply outlet
- D** - Pump power supply plug
- E** - Hooks
- F** - Tank
- H** - Inlet
- I** - Castor wheels
- K** - Main polyester filter.
Use only for dry pick up, not for wet pick up (optional)
- L** - Filter bag to apply on top of deflector.
This filter does not exclude the use of polyester filter, that still has to be used (optional)
- M** - Wand
- N** - Flexible hose
- O** - Hose
- P** - Double use brush
- P1** - Squeegee brush
- P2** - Dust brush
- Q** - Crevice nozzle
- R** - Upholstery nozzle
- S** - Round brush
- G** - Adaptor
- J** - Pump
- T** - Cable retainer
- U** - Float valve
- X** - Cut wire grommet
- Y** - Ring nut
- Z** - Cap

- 1** - Pump delivery fitting
- 2** - Nonreturn valve
- 3** - Clamp
- 4** - Pump delivery pipe
- 5** - Fitting
- 6** - Connection fitting

THE 4 STEPS OF OPERATION



THE 4 STEPS OF WET SUCTION



SAFETY

Ensure safe and proper use of this device by following these essential guidelines

1. Liquids and Accessories:

Attention: Do not vacuum liquids other than water or dirty water. Use only authorized accessories and spare parts provided by the manufacturer. Original components ensure safe device operation without malfunctions

2. Safe Use and Assembly:

Read the Manual: Carefully read the manual before use for a safe working environment.

Assembling and Checking: Assemble the device correctly before use. Ensure all filtering elements are in place and efficient.

Power Source: Connect the vacuum to a socket with a 30 mA differential switch.

3. General Safety Precautions:

Supervision: Children should not use the vacuum as a toy. Users must be properly trained.

Packaging Caution: Packaging components can be dangerous; keep away from children, animals, and uninformed individuals.

Dispose of Packaging: Dispose of packaging according to local standards

4. Electrical Safety:

Voltage and Compatibility: Ensure electrical mains voltage matches the vacuum's rating. Check socket compatibility. Unroll the power cable before use.

Wet Conditions: Do not handle the plug or appliance with wet hands.

Cable Use: Do not use the electrical cord to move or lift the machine.

Altitude Limit: Do not use above 2000 m (6560 ft) above sea level.

5. Hazardous Materials and Environment:

Dust Type: Not suitable for dangerous dust. Do not pick up flammable, incandescent, explosive, or toxic dust/blends.

Temperature Limits: Maximum temperature allowed is 40°C (104°F).

Environment: Avoid environments with electro-static discharges or sparks that can damage electronic components and harm individuals

6. Machine Handling and Maintenance:

Handling Caution: Do not immerse the machine in water or use a pressure jet. Do not use beyond specified altitude.

Power Cord Caution: Keep power cord away from rotating brushes. Use only original spare parts.

Tampering Warning: Do not tamper or modify the appliance. This could lead to serious accidents and void the warranty.

7. Post-Operation Safety:

Disconnect Power: Always disconnect the power cord after operating and before servicing.

Maintenance: Disassemble, clean, and overhaul the vacuum cleaner after each use or before technical assistance.

8. Routine Maintenance and Repairs:

Inspect Regularly: Check gaskets, seals, plastic parts, filters, and switches regularly.

Damaged Cord: Replace damaged power cords immediately. Authorized service centers can replace them.

Extension Cord: If used, ensure it is suitable for the equipment. Keep dry and avoid conductive surfaces.

9. Liquid Handling and Storage:

Liquid Handling: In case of foam or liquid leak, switch off the appliance immediately. In case of overturning, lift the appliance upright before switching off the motors.

Avoid Aggressive Soaps: Do not pick up aggressive soaps; they may damage the appliance



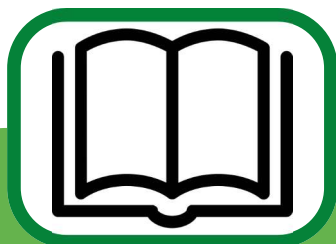
LABELS



THE CE MARK “EUROPEAN COMPLIANCE” MEANS THAT THE PRODUCT IS IN ACCORDANCE WITH THE ESSENTIAL REQUIREMENTS PROVIDED BY THE LAW, CONCERNING SAFETY AND PUBLIC HEALTH MEASURES, PROTECTION OF THE CONSUMER, ETC.



WARNING: THESE SYMBOLS WILL BE USED TO REMIND THE OPERATOR TO PAY ATTENTION TO OPERATIONS THAT MAY CAUSE LESIONS, INCLUDING DEATH, TO THE OPERATOR OR TO OTHER PEOPLE OR ANIMALS NEARBY. FURTHERMORE, THE OPERATIONS INDICATED BY THESE SYMBOLS MAY CAUSE DAMAGES, EVEN IRREPARABLE ONES, TO THE SUCTION DEVICE.



ATTENTION: PLEASE READ CAREFULLY THE INSTRUCTION MANUAL BEFORE USING IT. IT IS RECOMMENDED TO KEEP THIS MANUAL FOR FUTURE REFERENCES.



DO NOT DISPOSE OF POWER TOOLS INTO HOUSEHOLD WASTE! ACCORDING TO THE EUROPEAN DIRECTIVE 2012/19/EU ON WASTE ELECTRICAL AND ELECTRONIC EQUIPMENT (WEEE) AND ITS INCORPORATION INTO NATIONAL LAW, POWER TOOLS THAT ARE NO LONGER SUITABLE FOR USE MUST BE SEPARATELY COLLECTED AND SENT FOR RECOVERY IN AN ENVIRONMENTAL-FRIENDLY MANNER.

TECHNICAL DATA

2/107 SUB+

Usage		WET
Motor		2x2 stage
Power	W	2400 max
Voltage	V	220 - 240
Water Lift	mmH2O	2470
Airflow	m3/h	420
Tank Capacity/Material	l	107/plastic (polyethylene)
Cable Length	m	8,5
Sound Pressure level	dB[A]	77
Pump Type		Stainless Steel
Pump Power	W	750
Pump Capacity	L/min	400
Solids diameter for pumping out	mm	40 max
Delivery head	m	11,5
Diameter of Accessories	mm	38
Dimensions	mm	500x620x1110
Weight	kg	32,0

NOISE

Values measured according to EN 60704-1 (2010) / EN 60704-2-1 (2001) ISO 3744 standards.

The sound pressure level weighted A of the appliance is $L_{pA}=77,5$ dB; $K_{pA}=2,5$ dB

VIBRATIONS

Hand-arm vibrations on the suction hose are less than $2,5m/s^2$ as recommended by ISO 5349-1

Under adverse network conditions, the appliance may cause temporary drops in voltage.

STANDARD EQUIPMENT

CODE: TBFX01277
EXTRA STRONG
FLEXIBLE HOSE
5 M Ø38mm



CODE: LAFN43048
(FOR 1 PC)
ALUMINIUM/
PLASTIC TUBE
50 CM Ø38mm
(MACHINE COMES WITH 2PCS)
28 00638 70



CODE: MPVR43047
HANDLE WITH
AIR REGULATOR
Ø38mm
28 00638 90



CODE: SPPV43051
WET TOOL Ø38mm
28 00638 50



OPTIONAL

CODE: PMVR06680
DFS POLY KIT





IPC

IP CLEANING S.r.l.
Sede Legale - Registered Office
Viale Treviso n°63 fraz. Summaga
30026 Portogruaro (VE) ITALY

Sede produttiva - Production premises
Via E. Fermi, 2
26022 Castelveverde (CR) ITALY

- | | | | |
|----|---------------------------------|----|------------------------------------|
| I | DICHIARAZIONE CE DI CONFORMITA' | E | DECLARACION CE DE CONFORMIDAD |
| GB | CE CONFORMITY DECLARATION | NL | KONFORMITEITSVERKLARING CE |
| F | DECLARATION DE CONFORMITE CE | N | BEKREFTELSE OM OVERENSSTEMMELSE CE |
| D | CE KONFORMITÄT SERKLÄRUNG | P | DECLARAÇÃO CE DE CONFORMIDADE |

2006/42/CE (Machinery Directive)
2014/30/UE (Electromagnetic compability EMC)
2011/85/UE (Directive ROHS)

I - DICHIARIAMO SOTTO LA NOSTRA ESCLUSIVA RESPONSABILITÀ CHE IL PRODOTTO AL QUALE QUESTA DICHIARAZIONE SI RIFERISCE È CONFORME ALLE SEGUENTI NORME O AD ALTRI DOCUMENTI NORMATIVI:

E - BAJO NUESTRA EXCLUSIVA RESPONSABILIDAD, DECLARAMOS QUE EL PRODUCTO, AL QUE ESTA DECLARACION SE REFIERE, ES CONFORME CON LAS SIGUIENTES NORMAS U OTROS DOCUMENTOS NORMATIVOS:

GB - WE DECLARE ON OUR OWN RESPONSIBILITY THAT THE PRODUCT TO WHICH THIS DECLARATION REFERS IS IN ACCORDANCE WITH THE FOLLOWING RULES OR WITH OTHER DOCUMENTS CONTAINING OFFICIAL RULES:

NL - WIJ VERKLAREN ONDER ONZE EXCLUSIEVE VERANTWOORDELIJKHEID DAT HET PRODUCT WAAROP DEZE VERKLARING BETREKKING HEEFT, KONFORM IS AAN DE VOLGENDE NORMEN EN AAN ANDERE DAÁRVAN DEEL UITMAKENDE DOCUMENTEN:

F - NOUS DÉCLARONS SOUS NOTRE EXCLUSIVE RESPONSABILITÉ QUE LE PRODUIT AUQUEL CETTE DÉCLARATION SE RÉFÈRE EST CONFORME AUX NORMES SUIVANTES OU À D'AUTRES DOCUMENTS QUI CONTIENNENT NORMES OFFICIELLES:

N - VI FORSIKKER UNDER EGET ANSVAR AT FOLGENDE PRODUKT SOM OMFATTES AV DENNE BEKREFTELSEN ER I OVERENSSTEMMELSE MED VILKÅRENE I FOLGENDE DIREKTIV ELLER ANDRE LOVER:

D - AUF UNSERER ALLEINVERANTWORTUNG ERKLÄREN WIR, DASS DAS PRODUKT, WORAUF SICH DIESE ZUSTIMMUNGEN BEZIEHT, FOLGENDEN NORMEN ODER ANDEREN VORSCHRIFTEN GEMÄSS IST:

P - DECLARAMOS SOB A NOSSA EXCLUSIVA RESPONSABILIDADE QUE O PRODUTO AO QUAL ESTA DECLARAÇÃO SE REFERE ESTA EM CONFORMIDADE COM AS SEGUINTEs NORMAS OU OUTROS DOCUMENTOS NORMATIVOS:

IEC 60335-1:2010 + A1:2013 + A2:2016 - EN 60335-1:2012 + AC:2014 + A11:2014 + A13:2017
IEC 60335-2-69:2016 - EN 60335-2-69:2012
IEC 60335-2-2:2009 + A1:2012 + A2:2016 - EN 60335-2-2:2010 + A11: 2012 + A1:2013
EN 62233:2008 + Cor:2008
CISPR 14-1:2016 - EN 55014-1:2017 - CISPR 14-2:2015 - EN 55014-2:2015
IEC 61000-3-2:2018 - EN 61000-3-2:2019
IEC 61000-3-3:2013 + A1:2017 - EN 61000-3-3:2013

Person authorised to compile the technical file
Persona autorizzata a compilare il fascicolo tecnico
IP Cleaning S.r.l.
Via E. Fermi, 2 26022 Castelveverde (Cremona) - ITALY

Legal Representative
Rappresentante legale
dott. Pietro Annibaldi Corsano

Castelveverde, 26/03/2023